



LEX 60 / LEX 70



Well insulated loft ladder with 3-section ladder.

The LEX series combines Swedish quality with first class design and functionality that meet high elegance and stability requirements. The compact loft ladder is manufactured of slow grown spruce and is known around the world for its strong design and durability. LEX 70 is supplied with a cellular plastic insulated hatch and LEX 60 is supplied with a hatch that complies with fire standard EI30. Both hatches comply with European standards by effectively keeping heat in and draughts out. U-value from 0.40.

A product from



Product	Frame outer measurements (mm)	Inner measurements (mm)	Type of ladder	Standard ceiling height (max mm)	Insulation	U-value* (W/m ² °C)	Fire standard
LEX 70	540 x 1130	492 x 1074	3-section in wood	2700 (-3200)	70mm cellular plastic	0.40	no
LEX 70	700 x 1130	652 x 1074	3-section in wood	2700 (-3200)	70mm cellular plastic	0.40	no
LEX 60	540 x 1130	492 x 1074	3-section in wood	2700 (-3200)	60mm rockwool	1.00	EI30
LEX 60	700 x 1130	652 x 1074	3-section in wood	2700 (-3200)	60mm rockwool	1.00	EI30

Length adjustable to ceiling heights greater or less than 2700mm by an extension unit and cutting.

LEX 70 and LEX 60 can be custom made in the measurement range: width 540-900mm and length 1070-1400mm.

The measurements of the opening in the ceiling construction are 15-20mm larger than the specified frame outer measurements.

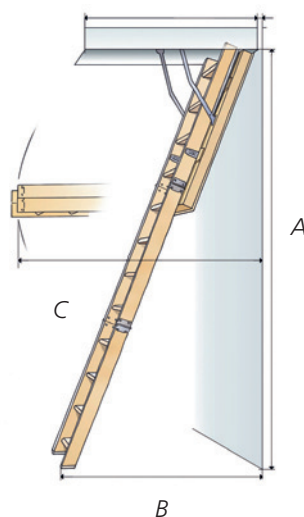
*U-value determination carried out by SP Technical Research Institute of Sweden.

LEX 3-section loft ladder

Supplied ready to fit with untreated frame and hatch, three point lock, 800mm key/operation rod, symmetrical spring balancing and protective pads. Insulation of 70mm cellular plastic or 60mm rockwool for European climates and in compliance with fire standard EI30.

The ladder's position on the floor in the extended position for different ceiling heights in millimetres:

A: Ceiling height	B: Position on floor	C: Corridor measurements
2400	1160	1560
2500	1200	1560
2700	1305	1560



Accessories

1. Extension section in wood, 3-section.
Applies to ceiling heights 2700-3200mm.
2. Guard rail D1003.
Max frame outer measurements 700x1300mm.
3. Key/operation rod 1050mm.
Applies to ceiling heights of more than 2700mm.
4. Universal hand rail, in white metal.



5. Upper hatch LEX D70. Noise insulating and heat saving upper hatch specially designed for today's high energy requirements. Insulation: 70mm cellular plastic. Provides, where combined with loft ladder LEX 70, a U-value of 0.20 W/m²°C. Dimensioned in accordance with the frame's outer measurements.