
 LUX D1020 570 x 1100 mm

Casing:

<u>outer size</u>	<u>inner size</u>	<u>size including the architrave</u>
570 x 1100 mm	515 x 1045 mm	610 x 1145 mm

The casing is manufactured of white melamine surfaced particle board with architrave integrated plastic profile.

The casing sides are 22 x 275 mm. An extra tread is mounted inside the casing

Frame flanged plastic profile

Insulation 50 mm polystyrene.

Hatch surface white plastic list

Insulation factor 0.54 W/m²C°

The insulation factor in combination with the loft ladder LUX A1120/A1220 is 0.33 W/m²C°

Surface treatment:

The hatch does not need any additional treatment

Fire rate:

Unrated

Locking:

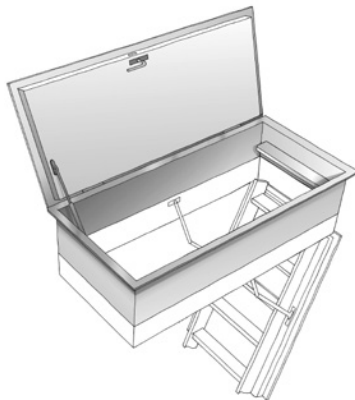
Espagnolette 440 mm long

Handle mounted inside the hatch.

Door stop

Sealing:

Q-LON profile (QL-3005) is mounted between the casing and the trap door.



product	weight	number per pallet
Top hatch LUX D1020	21 kg	14